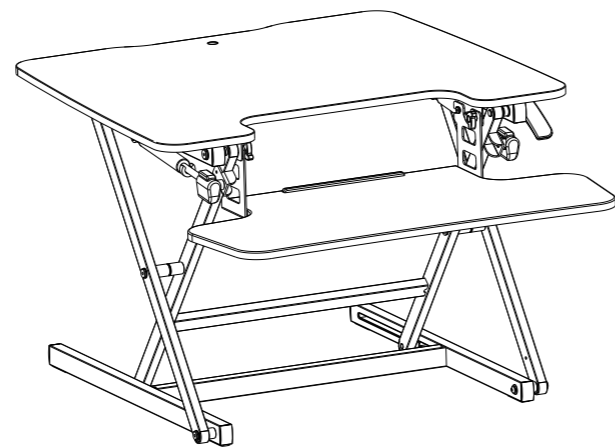
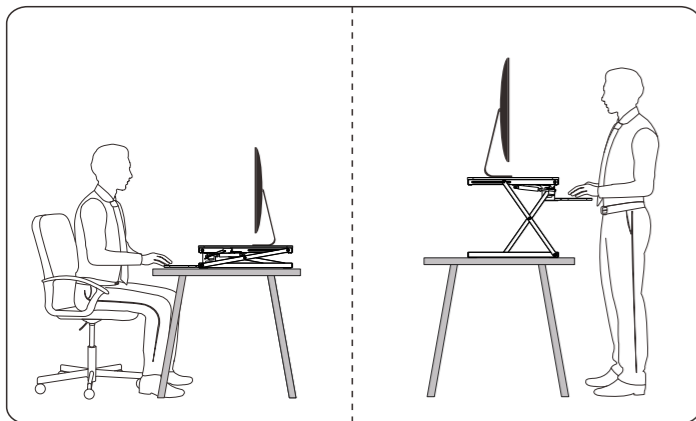


Item No. : SPR-122S
Installation guide



Technical Data

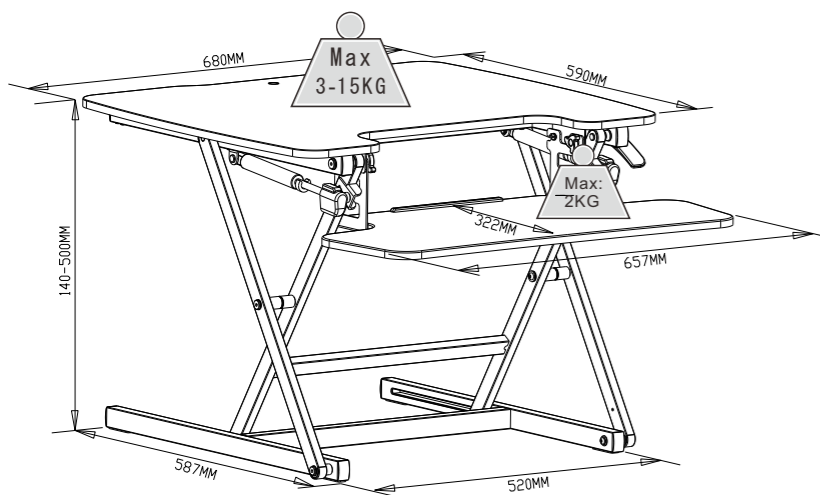
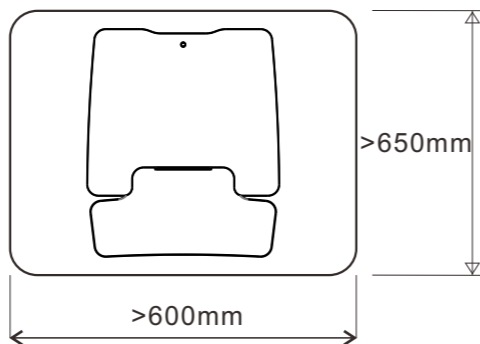


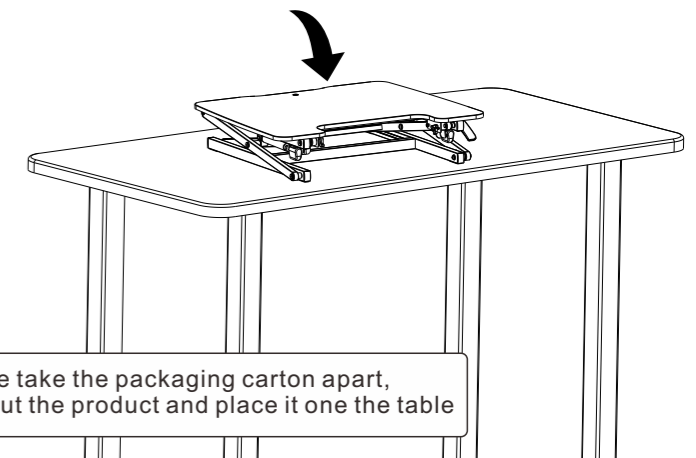
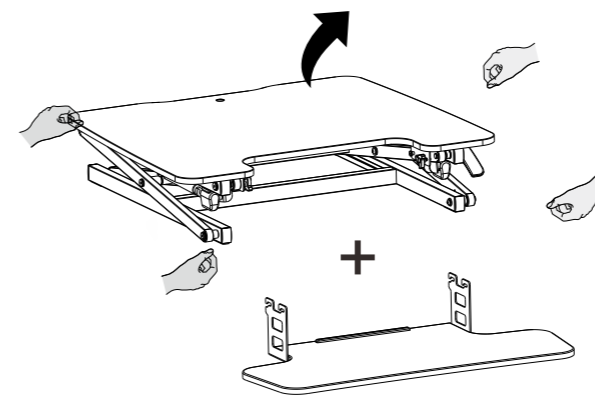
Table cover size:



WARNING Please do not exceed the maximum WARNING bearing weight

Loading range	3 ~ 15kg
Height adjustment range	140 - 500mm

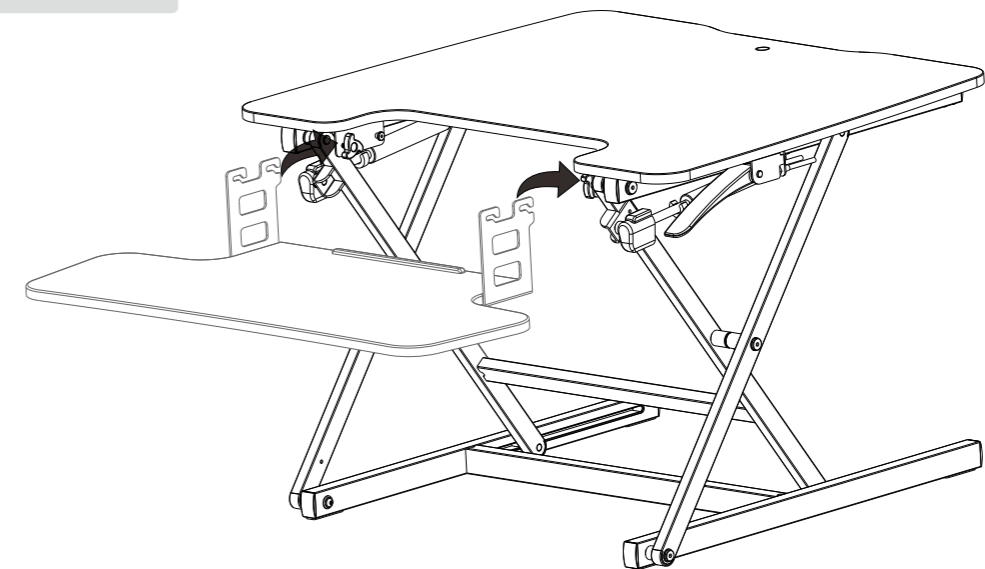
ASSEMBLY STEP 1



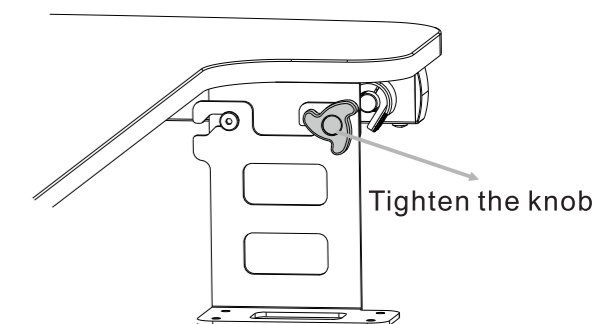
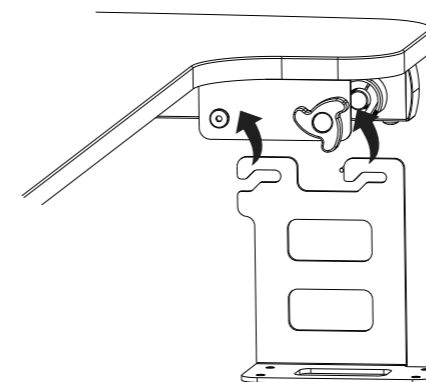
Please take the packaging carton apart, take out the product and place it on the table

Attention Please place the product properly according to size of it, or it may harm or cause damage.

ASSEMBLY STEP 2

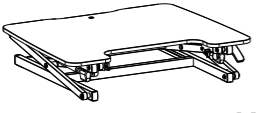





Hook the connection plate to the installed knob and tighten the knob.



Tighten the knob

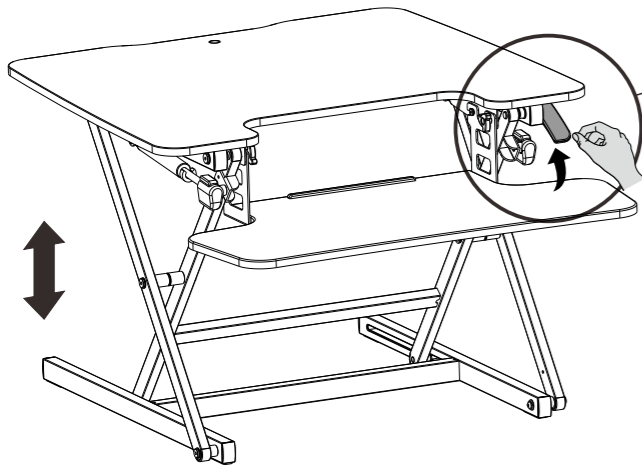
Accessory Package List

No.	Spare part	No.	Spare part	No.	Spare part
A	 x1	B	 x1	C	 x4
No.	Spare part				
D	 x1				

TOOLS



ASSEMBLY STEP 3

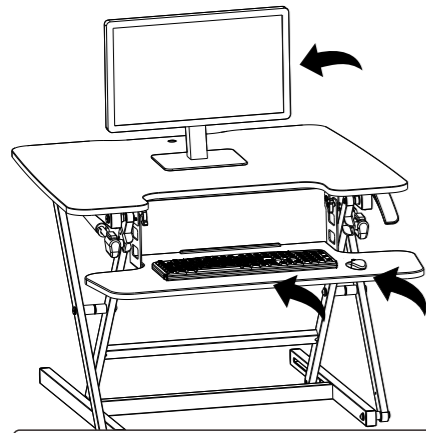


Based on the actual usage, press the handle on one side, and adjust the workstation to the proper height

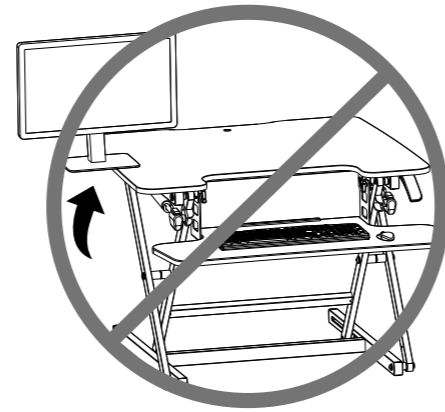


Please do not put hands near the supporting bars, as they change during adjusting and may hurt you.

ASSEMBLY STEP 4

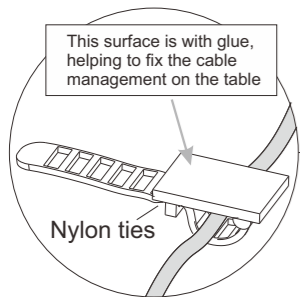


Please put the devices onto the top of the workstation.



Please make sure all installed equipments are on the table, and not sticking out of the edge, or it may harm or cause damage.

ASSEMBLY STEP 5



This surface is with glue, helping to fix the cable management on the table

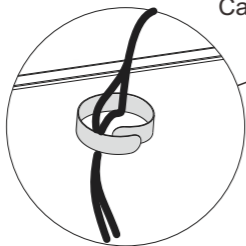
Nylon ties

Bundle the cables with Velcro

Cable



Adhesive buckle helps to make the cables tidy and clean. Please leave enough length of cable for height adjustment function, otherwise it may cause unexpected lost.

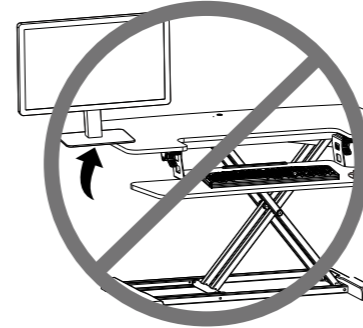


WARNING

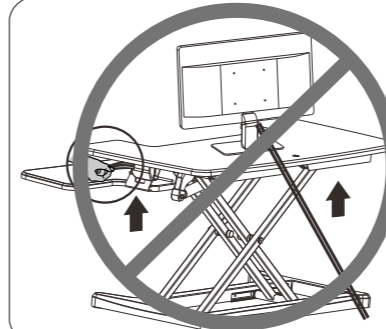
Hands Pinching
Do not place your hand near the strut. Strut's angle will change during the desktop lifts and it may hurt you.



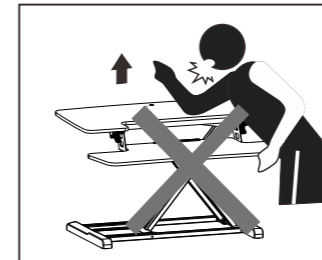
Please do not put hands near the supporting bars, as they change during adjusting and may hurt you.



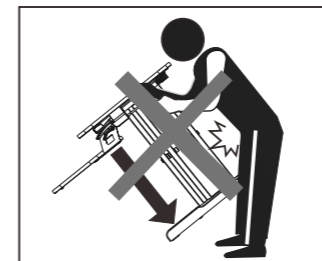
Please make sure all installed equipments are on the table, and not sticking out of the edge, or it may harm or cause damage.



Please leave enough length of cable for height adjustment function, otherwise it may cause unexpected lost.



Please first adjust it to the highest, then remove equipment to avoid harm or damage.



Please move it by two persons, or parts may collide and cause damage.

Made in ChRL for
DMTrade Mikołaj Tomaszewski
Wiśniowa 36, 64-000 Kościan, Poland

NIP: PL6981681757
email: sklep@dmtrade.pl
phone #1: +48 661 082 052
phone #2: +48 726 082 052